



# SKATEWHEEL SECTION

## Features & Benefits

The concept of a skate wheel gravity conveyor is simple. A lightweight, low cost, and ergonomic way to move materials. Combine it with power systems to help reduce energy needs.

Powder Coated, Galvanised or Stainless Steel Frame options

### SKW 482-8/24 Acetal Skate Wheel

- Load capacity 20kg.
- White acetal inner & outer race.
- Nylon cage.
- S/S balls.

### SKW 483-6/24 / SKW 483-8/24 Steel Skate Wheel

- Load capacity 30kg.
- All steel.
- Zinc plated finish.

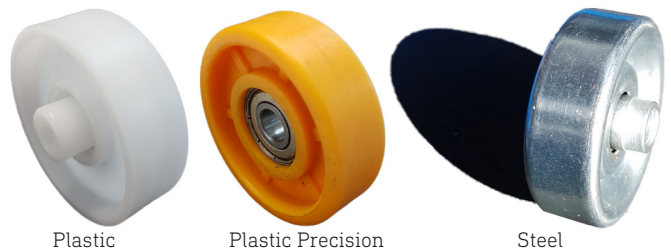
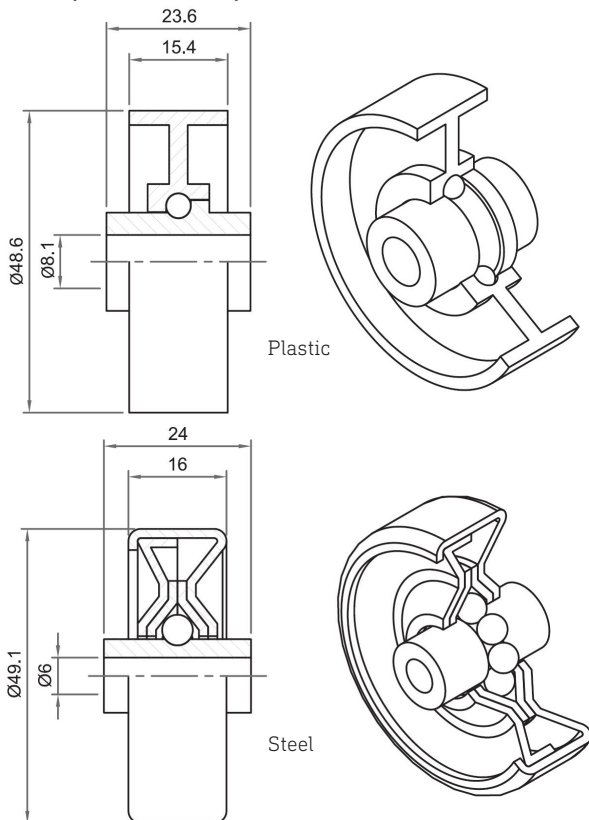
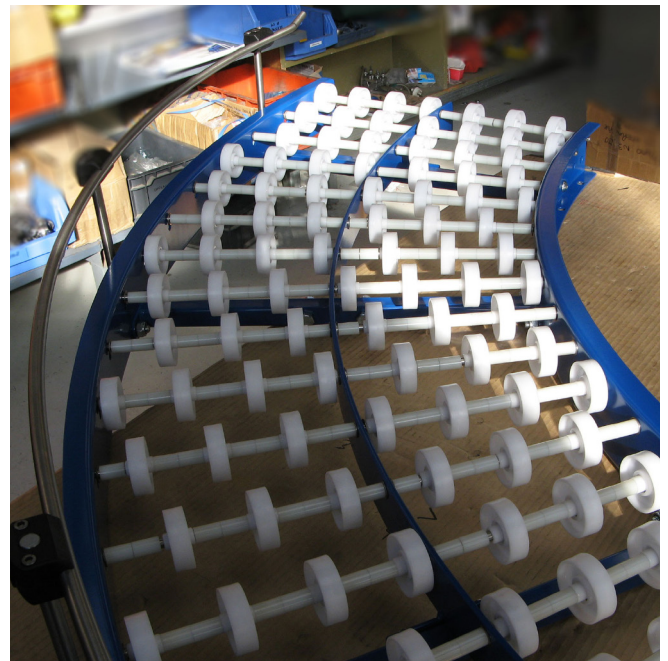
## Uses

### Plastic

- Low friction guide rail
- Empty carton transfer
- Used in Hygienic areas

### Metal

- Med-heavy duty applications
- Gravity out feed conveyors



Auckland 09 320 5535  
 Canterbury 03 307 0044  
 Southland 03 216 1440

Freephone 0800 144 044  
 Email [sales@dyno.co.nz](mailto:sales@dyno.co.nz)  
[www.dyno.co.nz](http://www.dyno.co.nz)