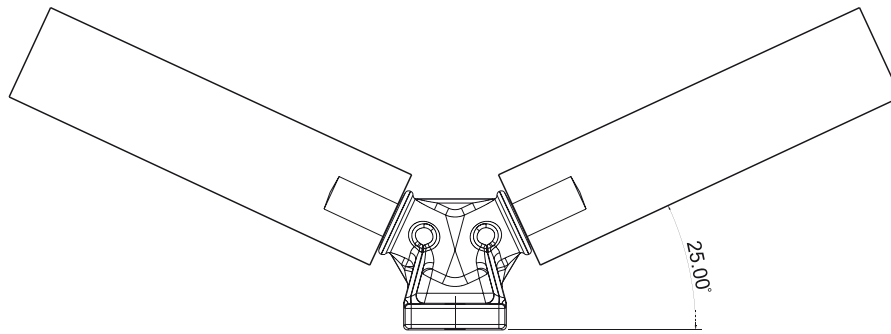


**TRC, TRS Troughed Brackets**

- Available roller diameters
  - 50mm (standard)
  - 60mm (special request)



Belt Width	300	400	500	600	650
Roller Length	150	200	250	300	325

For wider belts, a combination of equal and outset brackets is used

