



# PLASTIC CHAIN COUPLINGS

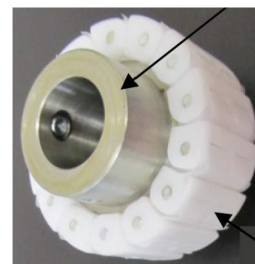
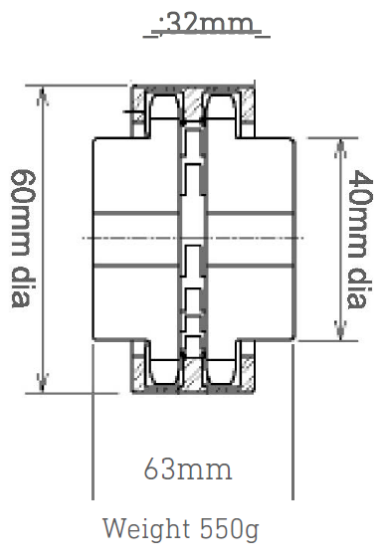
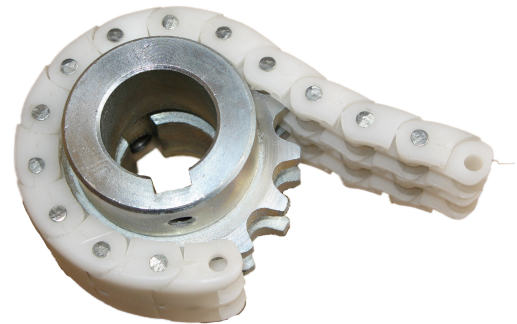
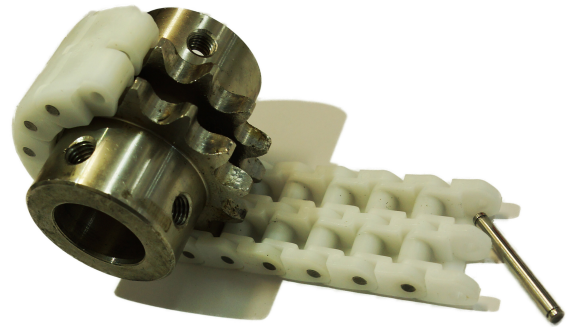
The Plastic chain couplings can stand a wide range of rugged conditions, corrosion resistant, no lubrication. It consists of a combination of a plastic chain (poly acetal) and two coupling sprockets. They are widely used throughout food and textile industry.

## Features & Benefits

- No Lubrication - Not dirt catching problem of grease
- Corrosion Resistance - Plastic chain Couplings are recommended where corrosion is a problem
- Quiet Operation - Runs quieter than metal couplings
- Safe Operation - Smooth outer surface of plastic chain
- Economical - Cost less to install and maintain

## Specifications

- Temperature range from -5°C to 65°C
- Angular misalignment = 1°
- Total end float of 1mm
- Parallel misalignment = 0.12mm



SS or zinc plated sprockets  
14 tooth 1/2" pitch  
ASA

Plastic Coupling Chain  
(POLY ACETAL)



zinc plated steel connecting pin

KW rating

No. of teeth	Below 100 RPM Max Torque (NM)	Revolutions per minute										
		100	200	300	400	500	600	700	800	900	1200	1500
14	49	0.5	1	1.5	2	2.5	2.7	3	3.3	3.6	4.3	5