

VERSATEK

Dyno's Versatek modular belt conveyor system has been developed to allow us to effectively customise a system to your requirements. It introduces a versatile conveying solution that can convey products through radius bends, goose-neck and incline as well as horizontal paths. It has a wide variety of applications, from food processing to package handling and product manufacturing.

Features & Benefits

- Versatile bolt together design means the configurations can be altered quickly
- Low maintenance with standard geared motors
- Corrosion and abrasion resistant
- Low friction
- Positive drive is applied to belt - improves reliability and eliminates tracking issues
- Hygienic plastic material - ideal for wash down (stainless steel type)
- Can be side flexing to go around corners
- Easy to repair or replace belt

Uses

Modular belted conveyors are the ideal solution where a higher degree of precision or smooth operation is required.

- Meat and poultry
- Seafood
- Bakery
- Vegetable processing
- De-watering baths
- Carton conveying/turning
- Accumulation and grading tables
- Part positioning
- Stepping assembly and indexing





VERSATEK

Specifications

Dimensions

Made to suit requirements and application

Frame Construction

Stainless Steel

Mild Steel powder coated

Aluminium

Hot-dipped Galvanised

Drive Motor

Specified according to conveyor size and application

Standard Arhburg, 3 phase and single phase options

NB: Electrical controls available on request

Other brands and gear box types available on request

Belt Speed

Belt speed selected to suit application

Option of variable speed controller

Belt Options

A wide variety of belt types and materials to suit your application.

Materials:

- Acetal
- Polypropylene
- Nylon

Types:

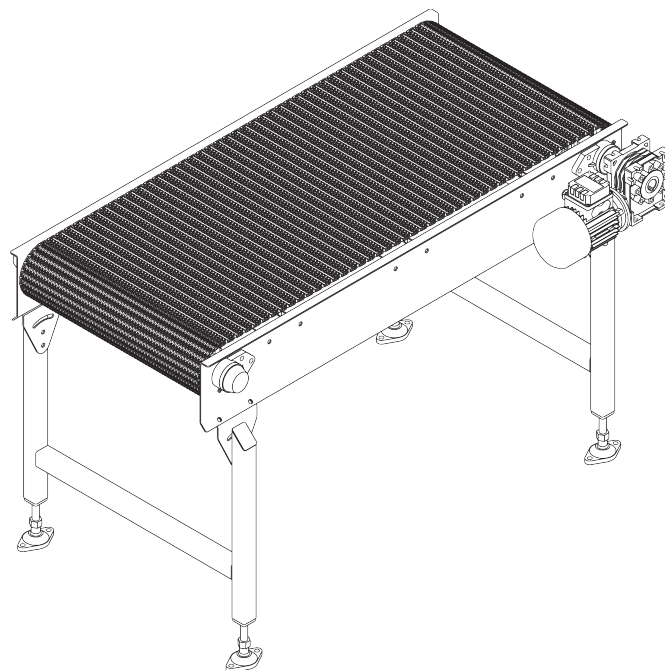
- Flat top
- Radius (to suit bends)
- Grip and non-slip top
- Roller top
- perforated and vented top
- micro pitch

*Flights and side guards can be fitted into many of the above belts

Additional Options

Dyno offers a range of accessories available as optional extras to suit every application

- High side frames
- Support stands
- Additional options to reduce friction for radius conveyors



A wide range of replacement parts can be sourced through Dyno, including, belting, sprockets, bearings and drive motors.