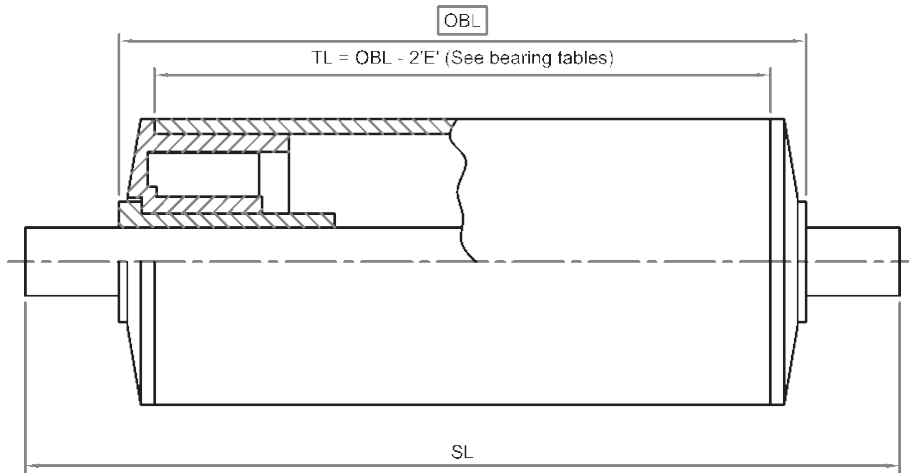


# CONVEYOR ROLLERS

## 420 Tube Diameter - 42mm



Tube		Bearings		Shaft Materials	
Materials	42 x 2.5 PVC (32 PN12)	Materials	Bushed type	Materials	Mild steel
			White ABS housing		Stainless steel
			White acetal bush up to 10mm		
			Black nylon bush over 10mm		
		Blind bushes – see bearing tables			
				Size	Standard – Ø8, Ø9.5mm Option – Ø6, Ø10, Ø11, Ø12mm
				Type	Standard – SP Options – DL, F, FT, L, MT

- Load Rating kg (Minimum applies).

Roller Length (mm)	Tube Material Plastic	Shaft			
		Ø6mm	Ø8mm	Ø10mm	Ø12mm
100	30	30	30	30	30
200	30	20	30	30	30
300	20	10	30	30	30
400	12	2	25	30	30
500	6	1	20	30	30
600	3		15	30	30
700			10	30	30
800				25	30
900				20	30
1000				10	30
1100					30
1200					30

\* Shaded sizes not recommended

- Rated speed 20m/min (speed can be increased with decreased load).
- Max. static load 30kg.
- For central point load, reduce load rating by 1/3.

Common uses;

- Fruit handling elevators.