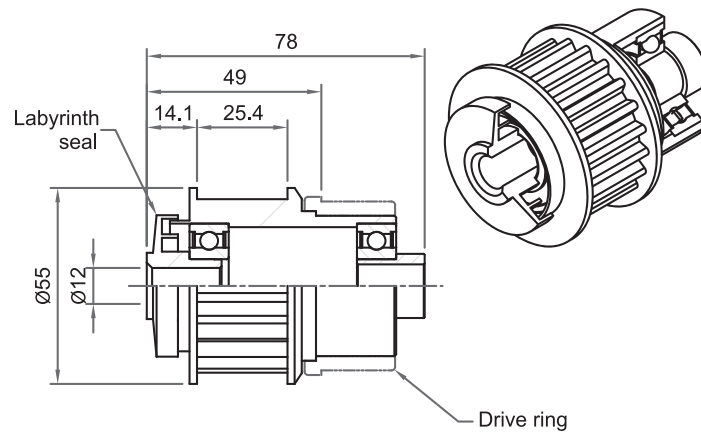


PULLEYS

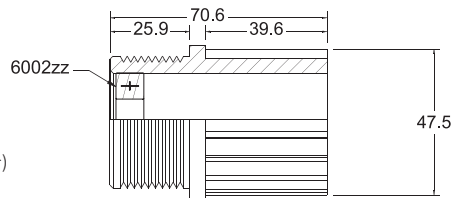
TB20 Tooth Belt Pulley

- Black nylon body.
- Black polypropylene labyrinth & reducer bush.
- 20 tooth.
- 8mm pitch.
- Fixed drive (TB20F).
- Loose (TB20L).
- Fits range of tube sizes with adaptor.
- Standard 12mm bore.
- Can be fitted with any 507 series labyrinth for other shaft sizes.
- Option; Stainless steel precision bearing



MV50P-9G

- Black nylon body.
- 9 Vee's
- 6002 Bearing
- Standard 12mm bore (other sizes special order)
- Fits 50 x 1.5 Galv Tube
- Option: SS or Steel(ZP)



MV89S-23G

- All steel body
- 23 Vee's
- Load Rating 300kg
- Fits 25mm Shaft
- Fits 89 x 3.2mm Galv and SS Tube
- Option: SS

