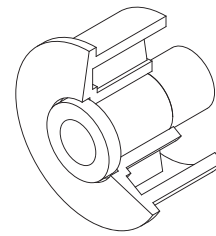
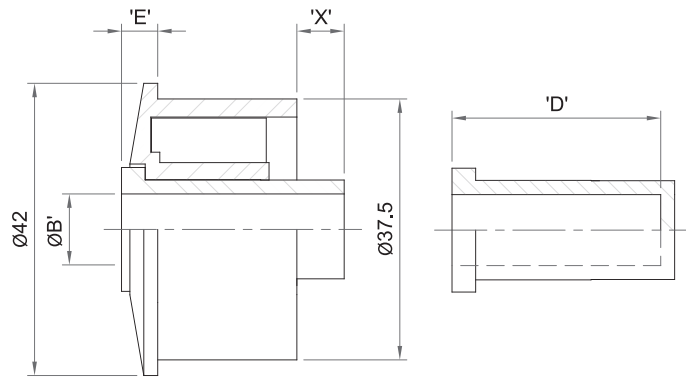


420 (P32D) Bushed Bearing

- Load capacity 15kg.
- Bearing holder white ABS.
- Suits;
 - 42 x 2.5 tube - PVC (32 PN12)



Code	Bush Material	Bore Size 'B'	Extension 'E'	Inside Extension 'X'	Useable Depth of Blind Bush 'D'
420-5	White Acetal	5.1	5.5	6.5	
420-6	White Acetal	6.5	5.5	6.5	
420-8	White Acetal	8.7	5.5	6.5	
420B-8	White Acetal	8.7	5.5	6.5	17
420-9.5	White Acetal	10	5.5	6.5	
420B-9.5	White Acetal	10	5.5	6.5	30
420-10	White Acetal	10.4	5.5	6.5	
420-11	Black Nylon	11.1	7.25		
420B-12	Black Nylon	12.5	4.5		20
420-12.7	Black Nylon	12.8	7.25		

420HD-12 Bushed Bearing

- Load capacity 25kg.
- Black nylon.
- Suits;
 - 42.4 x 3.2 tube - S/S (32 NB sch. 40)
- Option; 420HD-16

