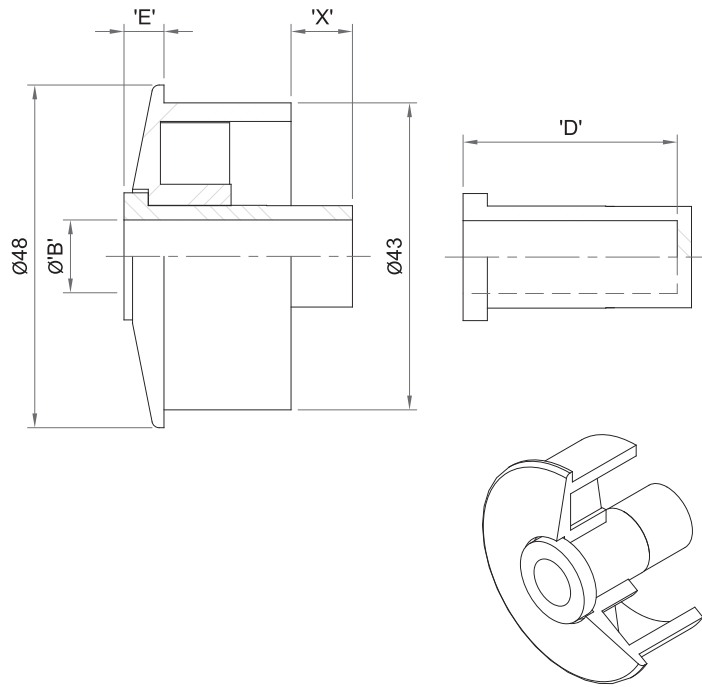


ROLLER BEARINGS

480 (P40D) Bushed Bearing

- Load capacity 15kg.
- Bearing holder white ABS.
- Suits;
 - 48.3 x 2.8 tube - PVC (40 PN12)
 - Dynopipe 48.3 x 2.8
 - Galv. steel (40 NB light)
 - S/S (40 NB sch. 10)



Code	Bush Material	Bore Size 'B'	Extension 'E'	Inside Extension 'X'	Useable Depth of Blind Bush 'D'
480-5	White Acetal	5.1	5.25	9	
480-6	White Acetal	6.5	5.25	9	
480-8	White Acetal	8.7	5.25	9	
480B-8	White Acetal	8.7	5.25	9	17
480-9.5	White Acetal	10	5.25	9	
480B-9.5	White Acetal	10	5.25	9	30
480-10	White Acetal	10.4	5.25	9	
480-11	Black Nylon	11.1	7	0	
480B-12	Black Nylon	12.5	4	1.5	20
480-12.7	Black Nylon	12.8	7	0	

- Also available – Grey polypropylene Bush for high acid environments

480HD-16 Bushed Bearing

- Load capacity 30kg.
- Black nylon.
- Suits;
 - 48.3 x 2.8 tube - PVC (40 PN12)
 - Dynopipe 48.3 x 2.8
 - Galv. steel (40 NB light)
 - S/S (40 NB sch. 40)
- Optional bore size 480HD-19

