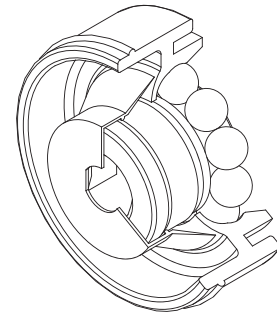
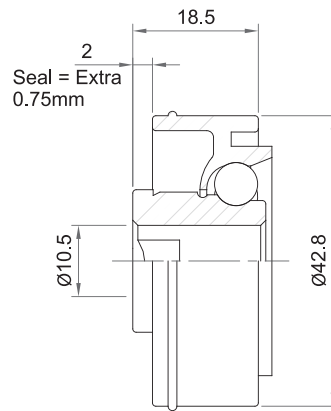


481-10/Q / 482-10/Q Ball Bearing

Our most popular bearing.

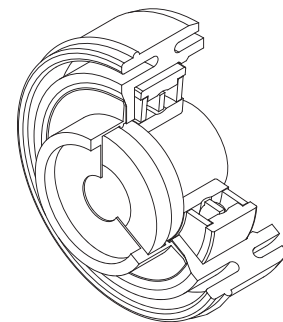
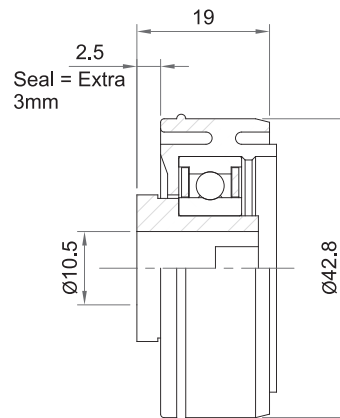
Can be used for gravity or powered roller.

- Load capacity 25kg.
- Acetal inner and outer race.
- Black – carbon steel balls (481).
- White – stainless steel balls (482).
- Suits;
 - 48.3 x 2.8 tube - Dynopipe 483
- Options
 - Sealed (481SE) or (482SE)
 - Greased (482G)
- Optional bore sizes
 - 10.6Q
 - 11
 - 12



487-10/Q Ball Bearing

- Load capacity 100kg.
- White acetal bearing housing and bush.
- 6002 2RS precision bearing.
- Suits;
 - 48.3 x 2.8 tube - Dynopipe 483
- Options
 - Extra seal (487SE)
 - S/S Bearing (487SS)
 - 10.6 Q shaft
 - 11 or 12mm round.



502 Ball Bearing

Light duty, free running ball bearing.

- Load capacity 25kg.
- Acetal inner and outer race.
- Black – stainless steel balls (502).
- Suits;
 - 50 x 1.5 tube - Galv. steel
 - S/S
 - 50.8 x 1.43 - Aluminium
- Option;
 - Greased (G)
 - Ali D
 - 11 or 12mm round.

