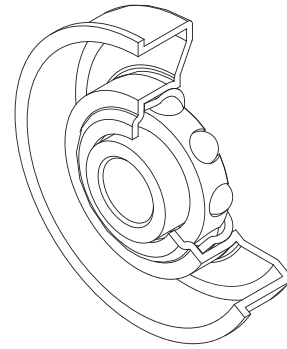
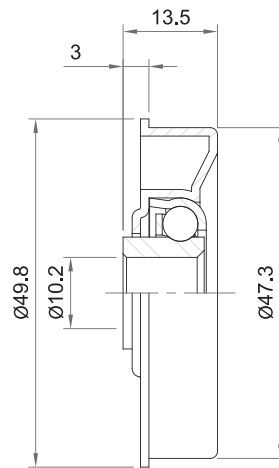


ROLLER BEARINGS

503C-10 Ball Bearing

Very quiet and free running.

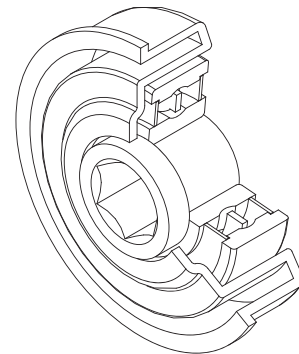
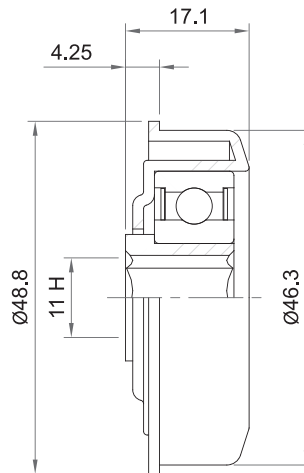
- Excellent for gravity rollers.
- Load capacity 60kg.
- All steel bearing and holder.
- Plastic ball cage, for quiet running.
- Zinc plated finish.
- Suits;
 - 50 x 1.5 tube - Galv. steel
 - 50.8 x 1.85 - Galv. steel
- Optional bore sizes
 - 503C-8
 - 503C-11H
 - 503C-12



505-11H Precision Bearing

Medium duty precision bearing for use when plastic housing is not desirable.

- Load capacity 100kg.
- Steel bearing housing and bush (z/plated).
- 6202Z Bearing.
- Suits;
 - 50 x 1.5 tube - Galv. steel
 - 50.8 x 1.85 - Galv. steel
- Optional bore sizes
 - 505-8
 - 505-10
 - 505-12
- 505-10 = 7.5mm
- Suitable for driven rollers or continuous running



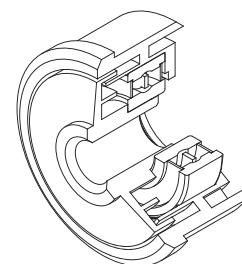
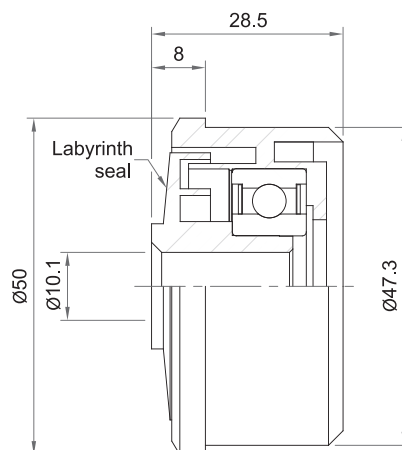
507-8 / 507-10 / 507-11H / 507-12 / 507-14 Precision Bearing

Most popular precision bearing. Matches with nylon sprockets.

- Load capacity 100kg.
- 6202 Bearing.
- Black polypropylene housing (Antistatic).
- Black polypropylene labyrinth (Antistatic except 8mm).
- Suits;
 - 50 x 1.5 tube - Galv steel
 - 50.8 x 1.85 - Galv steel
 - 50 x 1.5 - S/S
 - 50.8 x 2 - S/S
 - 50 x 1.6 - Aluminium

Option; 507SS

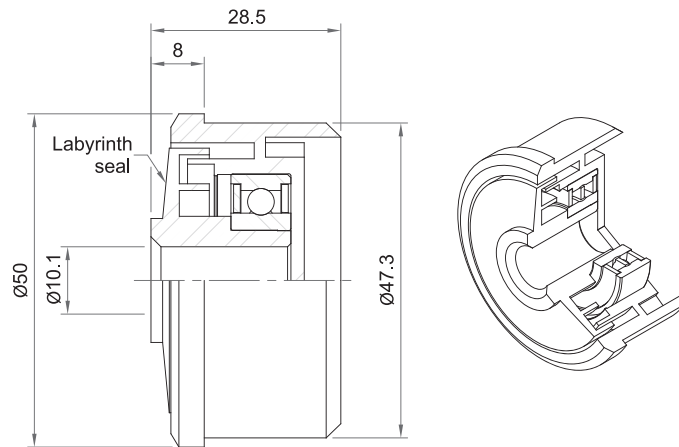
- Suitable for driven rollers or continuous running



507B Precision Bearing

Blind bearing housing to seal tube.

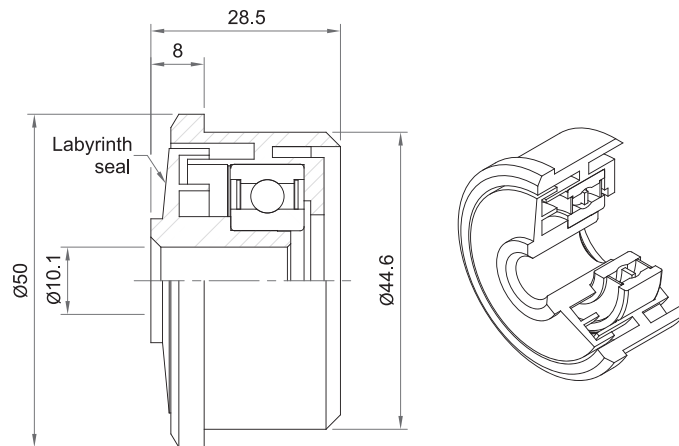
- Same details as 507.
- Not antistatic.
- Suitable for driven rollers or continuous running



507P-10 Precision Bearing

Most popular precision bearing.
Matches with nylon sprockets.

- Load capacity 100kg.
- 6202 Bearing.
- Grey polypropylene housing.
- Black polypropylene labyrinth.
- Suits;
 - 50 x 2.8 tube - Dynopipe
- Optional bore sizes
 - 507P-8
 - 507P-Q
 - 507P-11H
 - 507P-12
 - 507P-14
- Also available: 507PSS - Stainless Steel bearing
- Suitable for driven rollers or continuous running



507T Precision Bearing

Extra large head to retain tapered elements.

- Same details as 507.
- Not antistatic.
- Suitable for driven rollers or continuous running

