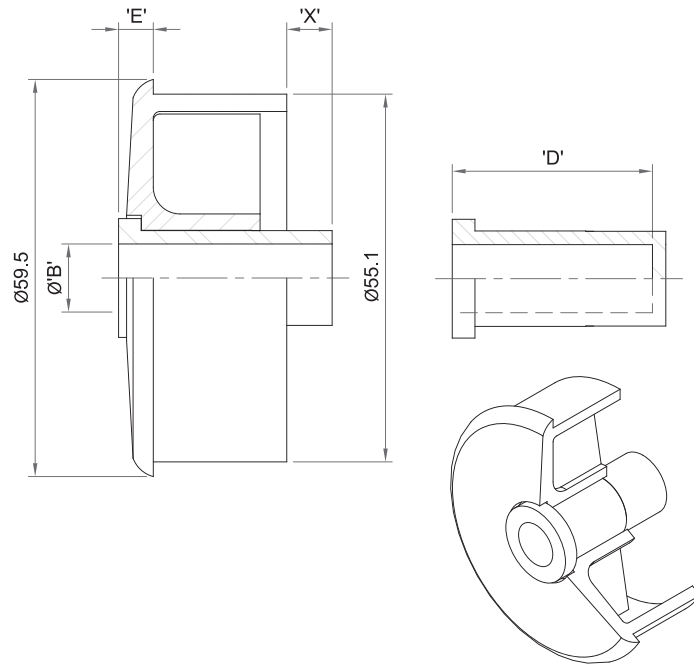


600 (50C) Bushed Bearing

- Load capacity 15kg.
- Bearing holder white ABS.
- Suits;
 - 60 x 2.8 tube - PVC (50 PN9)



Code	Bush Material	Bore Size 'B'	Extension 'E'	Inside Extension 'X'	Useable Depth of Blind Bush 'D'
600-5	White Acetal	5.1	5.25	6.5	
600-6	White Acetal	6.5	5.25	6.5	
600-8	White Acetal	8.7	5.25	6.5	
600B-8	White Acetal	8.7	5.25	6.5	17
600-9.5	White Acetal	10	5.25	6.5	
600B-9.5	White Acetal	10	5.25	6.5	30
600-10	White Acetal	10.5	5.25	6.5	
600-11	Black Nylon	11.5	7	0	
600B-12	Black Nylon	12.4	4.5	0	20
600-12.7	Black Nylon	12.8	7	0	

- Also available – Grey polypropylene Bush for high acid environments

605-11H Precision Bearing

Medium duty precision bearing for use where plastic housing is not desirable eg. extreme temp.

- Load capacity 100kg.
- Steel bearing housing and bush (z/plated).
- 6202Z bearing.
- Suits;
 - 60.3 x 2.3 tube - Galv steel
- Optional bore sizes
 - 605-8
 - 605-10
 - 605-12
- Suitable for driven rollers or continuous running

