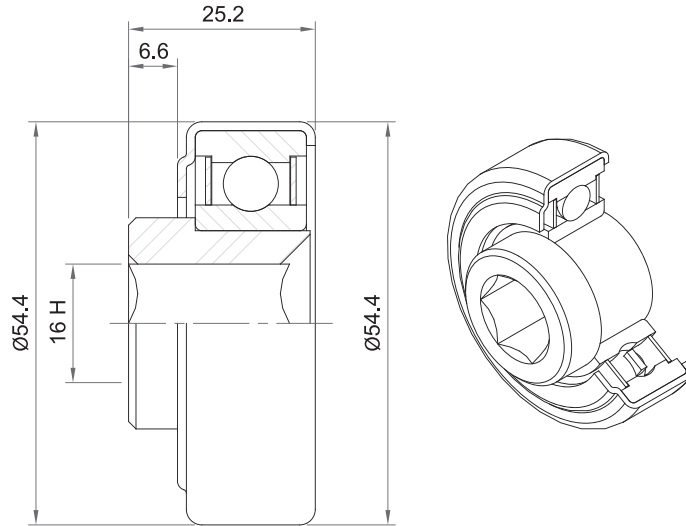


ROLLER BEARINGS

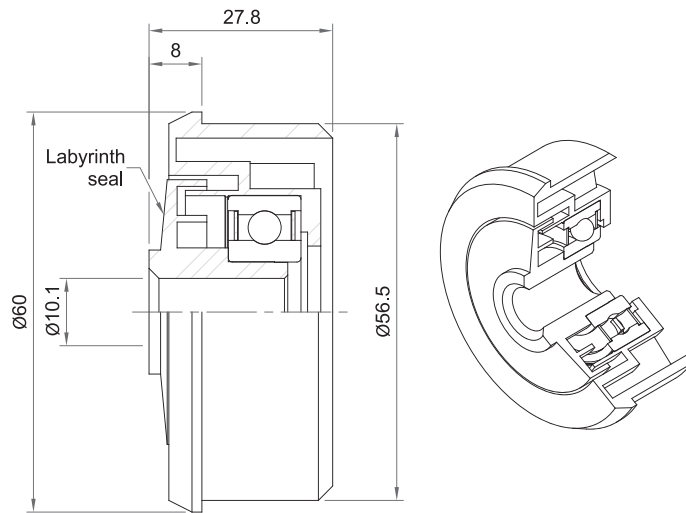
605HD-16H Precision Bearing

- Heavy duty
- Load capacity 500kg.
- Steel bearing housing and bush.
- 6205-2RS Bearing.
- Suits;
 - 60.3 x 3.6 tube - Galv steel (50 NB Med.)
 - S/S (50 NB sch. 40)
- Options; 605HD-16, 605HD-19, 605HD-20
- Suitable for driven rollers or continuous running



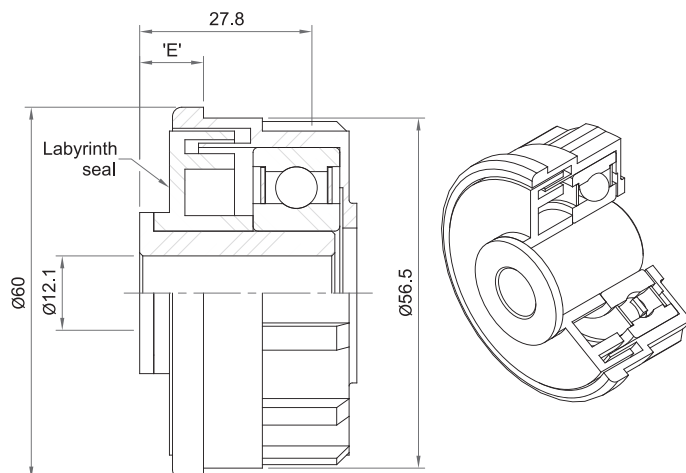
607-10 Precision Bearing

- Load capacity 100kg.
- 6202 Bearing.
- Black polypropylene housing (Antistatic).
- Black polypropylene labyrinth, (Antistatic except 8mm).
- Suits;
 - 60.3 x 2.3 tube - Galv steel
 - S/S (sch. 10)
- Available; 607SS - Stainless steel bearing
- Optional bore sizes
 - 607-8
 - 607-11H
 - 607-12
- Suitable for driven rollers or continuous running



607HD-16 Precision Bearing

- Load capacity 180kg.
- 6204 Bearings.
- Black nylon housing.
- Black polypropylene labyrinth and reducer bush.
- Suits;
 - 60.3 x 2.3 tube - Galv steel
 - S/S (sch. 10)
- Available; 607HDSS - Stainless steel bearing
- Optional bore sizes
 - 607HD-12
 - 607HD-20
- Suitable for driven rollers or continuous running



Bore Size	'E'
12	10
16	10
20	7.75