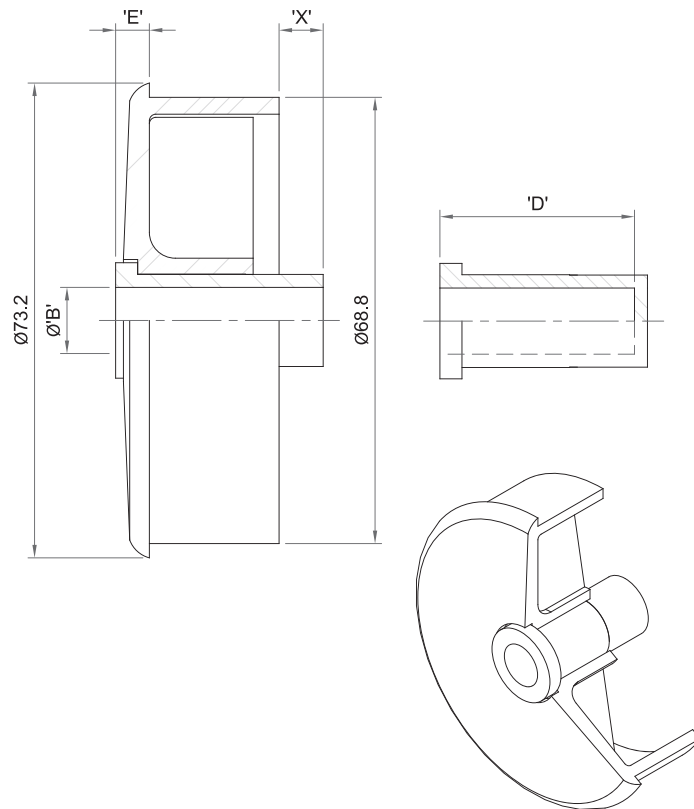


### 750 (P65C) Bushed Bearing

- Load capacity 20kg.
- Bearing holder white ABS.
- Suits;
  - 75 x 3 tube - PVC (65 PN9)



Code	Bush Material	Bore Size 'B'	Extension 'E'	Inside Extension 'X'	Useable Depth of Blind Bush 'D'
750-5	White Acetal	5.1	5.5	6	
750-6	White Acetal	6.5	5.5	6	
750-8	White Acetal	8.7	5.5	6	
750B-8	White Acetal	8.7	5.5	6	17
750-9.5	White Acetal	10	5.5	6	
750B-9.5	White Acetal	10	5.5	6	30
750-10	White Acetal	10.5	5.5	6	
750-11	Black Nylon	11.5	7.5	0	
750B-12	Black Nylon	12.4	5	0	20
750-12.7	Black Nylon	12.8	7.5	0	

- Also available – Grey polypropylene Bush for high acid environments