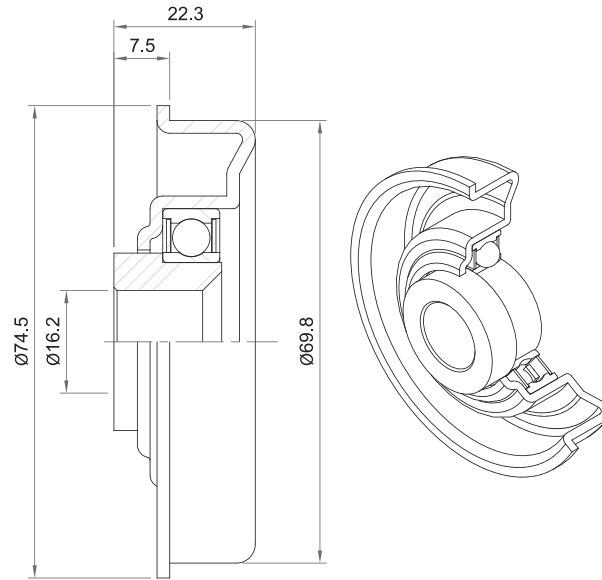


ROLLER BEARINGS

755-16 / 755-19 Ball Bearing

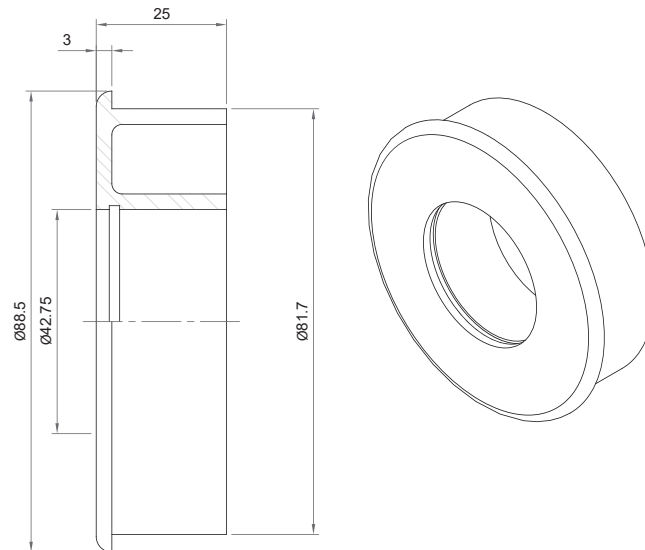
- Load capacity 200kg.
- Steel bearing, housing and bush (z/plated).
- 6905Z bearing.
- Suits;
 - 76 x 3.2 tube - Galv steel (65 NB light)

Bore Size	'E'	'X'
16	10	30
19	7	27



890 (CP80) Bushed Bearing

- White ABS reducer bush.
- Suits; 89 x 3.5 tube - PVC (80PN9)
- Fits range of reducer bearings;
 - 480 Bushed
 - 480HD Bushed
 - 481/2 Ball Bearings
 - 487 Precision Bearings



897-16 Precision Bearing

- Load capacity 180kg.
- 6204 Bearings.
- Black polycarbonate housing.
- Black polypropylene labyrinth and reducer bush.
- Suits;
 - 89 x 3.2 tube - Galv steel (80 NB light)
 - S/S (schedule 10)
 - Aluminium
- Available; 897SS - Stainless Steel bearing
- Optional bore sizes
 - 897-12
 - 897-20
- Suitable for driven rollers or continuous running

Bore Size	'E'
12	9
16	9
20	6.75

